



UNIVERSITY OF CAMBRIDGE INTERNATIONAL EXAMINATIONS
International General Certificate of Secondary Education

CANDIDATE
NAME

CENTRE
NUMBER

--	--	--	--	--

CANDIDATE
NUMBER

--	--	--	--

* 0 8 4 9 2 2 5 5 6 2 *

PHYSICAL SCIENCE

0652/31

Paper 3 (Extended)

October/November 2011

1 hour 15 minutes

Candidates answer on the Question Paper.

No Additional Materials are required.

READ THESE INSTRUCTIONS FIRST

Write your Centre number, candidate number and name on all the work you hand in.

Write in dark blue or black pen.

You may use a soft pencil for any diagrams, graphs, tables or rough working.

Do not use staples, paper clips, highlighters, glue or correction fluid.

DO NOT WRITE IN ANY BARCODES.

Answer **all** questions.

A copy of the Periodic Table is printed on page 20.

At the end of the examination, fasten all your work securely together.

The number of marks is given in brackets [] at the end of each question or part question.

For Examiner's Use	
1	
2	
3	
4	
5	
6	
7	
8	
9	
Total	

This document consists of **19** printed pages and **1** blank page.



- 1 Two cars are being tested on a straight level track.

Fig. 1.1 shows the speed-time graphs for the two cars, each of mass 1500 kg.

For
Examiner's
Use

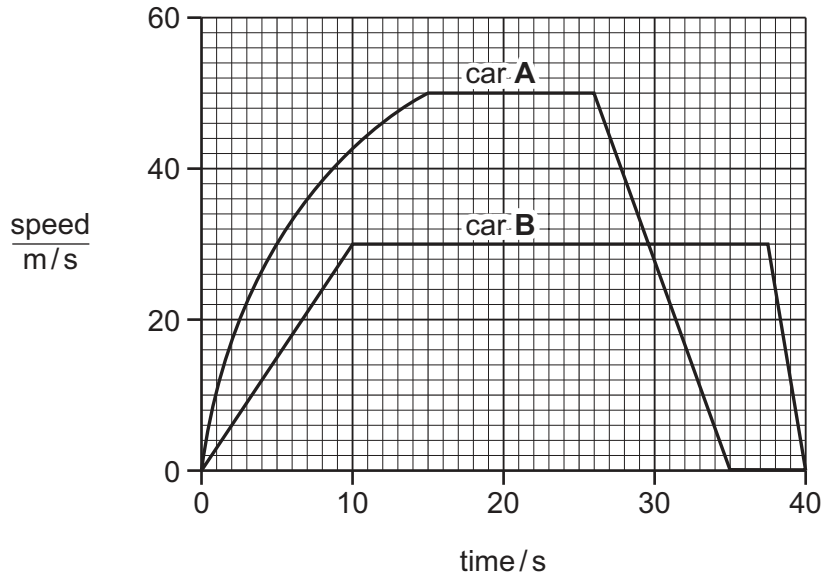


Fig. 1.1

- (a) Determine the maximum velocity of car A.

velocity = m/s [1]

- (b) Describe the motion of car A after 26 s.

.....

 [2]

(c) (i) Use the graph to calculate the acceleration of car **B** during the first 10 s of the test.

For
Examiner's
Use

acceleration = [2]

(ii) Calculate the resultant force on car **B** during this period.

force = [2]

(iii) Explain why the engine must provide a greater force than that given in your answer to (c)(ii).

.....
.....
..... [2]

(d) As the two cars approach the end of the track they brake and come to rest.

Explain which car produces the greater braking force.

.....
.....
..... [2]

- 2 Fig. 2.1 shows a catalytic converter, which is part of a car exhaust system.

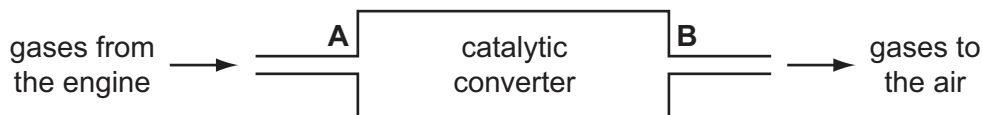


Fig. 2.1

Scientists analyse the gases at **A** and at **B**. Their results are shown in Table 2.1.

Table 2.1

gas	percentage at A	percentage at B
carbon dioxide	8.0	9.2
carbon monoxide	5.0	3.8
hydrogen	2.0	0.8
nitrogen	71.0	71.3
nitrogen monoxide	0.3	0.0
oxygen	4.0	2.8
water vapour	9.0	10.7

- (a) The scientists conclude that in the catalytic converter nitrogen monoxide is converted to nitrogen by reaction with carbon monoxide.

- (i) Write a balanced equation for this reaction. Use the data in Table 2.1 to help you.

..... [2]

- (ii) Use this reaction to explain the meaning of the terms *reduced* and *oxidised*.

.....

.....

..... [2]

- (iii) Explain how the results in Table 2.1 support the conclusion that this reaction takes place in the catalytic converter.

.....

.....

..... [2]

(iv) Use data from Table 2.1 to suggest another reaction that takes place in the catalytic converter.

.....
..... [1]

(b) Parts of the car exhaust system are made from galvanised steel.

(i) Explain how galvanising prevents steel from rusting.

.....
.....
.....
..... [3]

(ii) Suggest why galvanising is a better method of rust prevention than painting.

.....
..... [1]

For
Examiner's
Use

- 3 A student experiments with a rubber band. She stretches it between two retort stands and notices that it produces a sound when she plucks it. The apparatus is shown in Fig. 3.1.

*For
Examiner's
Use*

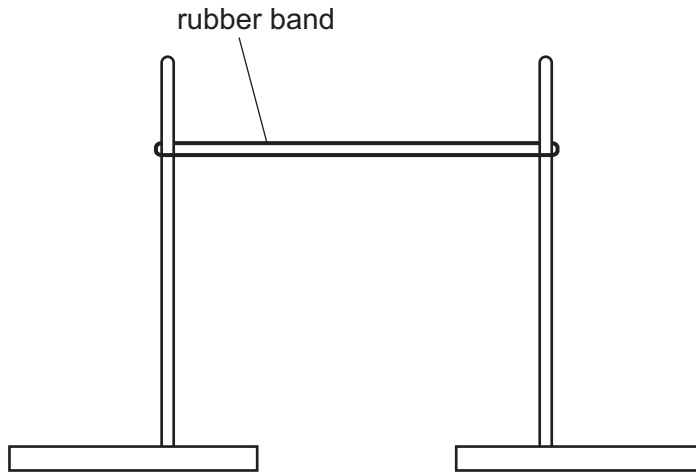


Fig. 3.1

- (a) Explain why the sound is produced.

.....
.....
..... [2]

- (b) The student sets up a cathode ray oscilloscope and a microphone, as shown in Fig. 3.2, to display the sound trace produced by the apparatus in Fig. 3.1.

For
Examiner's
Use

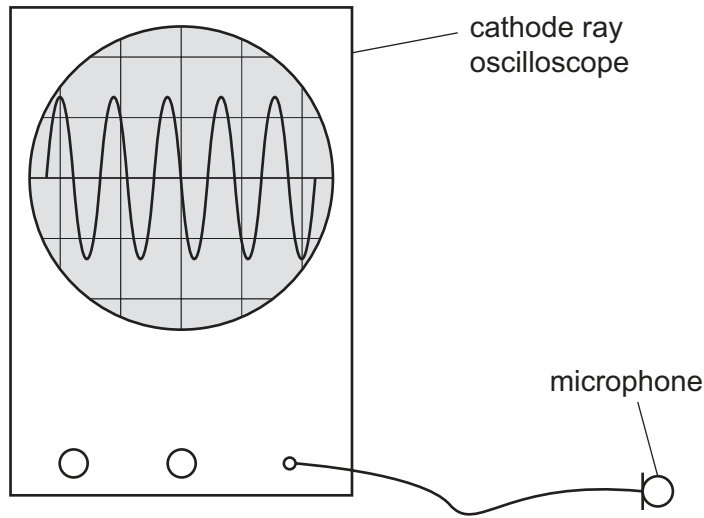


Fig. 3.2

The time base is set to 2.5 ms/division.

Calculate the frequency of the sound wave.

Show your working in the box.

frequency = Hz [3]

4 Silver salts are used in photography.

For
Examiner's
Use

(a) The action of light on silver bromide releases an electron.



(i) How does light enable this reaction to take place?

..... [1]

(ii) The silver ion is converted into a silver atom.

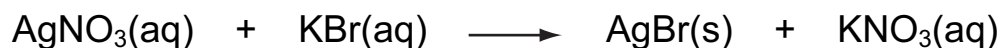
Why is this said to be a reduction reaction?

..... [1]

(iii) Write an ionic equation to show this reduction of a silver ion.

..... [1]

(b) Silver bromide can be made from the reaction between silver nitrate and potassium bromide.



(i) Describe how you would prepare a pure, dry sample of silver bromide from solutions of silver nitrate and potassium bromide.

.....

 [4]

(ii) What mass of silver bromide could be made from 5.0 g of silver nitrate?

[relative atomic masses, A_r : Ag, 108; Br, 80; N, 14; O, 16]

Show your working in the box.

mass of silver bromide = g [3]

*For
Examiner's
Use*

- 5 Fig. 5.1 shows an electric circuit. The e.m.f. of the battery is 6.0 V. The total resistance of the variable resistor 48 Ω .

For
Examiner's
Use

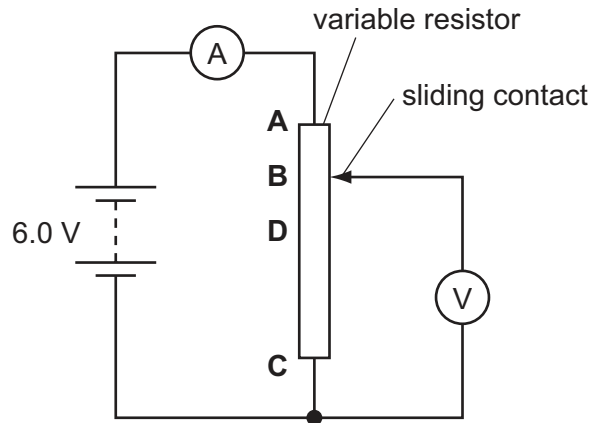


Fig. 5.1

- (a) (i) Calculate the current measured by the ammeter.

current = [2]

- (ii) When the sliding contact is at point **B** the voltmeter reading is 4.5 V.

Calculate the value of the resistance of the section of the variable resistor **BC**.

resistance = [2]

- (b) The sliding contact is moved to point **D**. The reading on the voltmeter is now 3.0 V.

Show that the resistance of the section **CD** of the variable resistor is 24 Ω . You may assume that the current through the circuit remains the same.

[1]

(c) The student realises that he could use this circuit as a variable voltage supply. He leaves the sliding contact at point **D** and connects a 3.0 V bulb of resistance 8Ω in place of the voltmeter.

(i) Show that the resistance of the parallel combination of the bulb and the section **CD** of the variable resistor is 6Ω .

[2]

(ii) Calculate the total resistance in the circuit.

resistance = [1]

(iii) Calculate the potential drop across the section **CD** of the variable resistor.

p.d. = [2]

(iv) Comment on the brightness of the bulb.

.....
..... [1]

- 6 When calcium carbonate is heated strongly it decomposes to form calcium oxide and carbon dioxide.



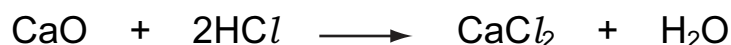
- (a) Calculate the volume of carbon dioxide, measured at room temperature and pressure, produced when 2.5 g of calcium carbonate is decomposed.

[The volume of one mole of any gas is 24 dm³ at room temperature and pressure.]

Show your working in the box.

volume of carbon dioxide = dm³ [3]

- (b) Calcium oxide reacts with hydrochloric acid to form a salt.



In this reaction calcium oxide is acting as a base.

- (i) Use this reaction to define the terms *acid* and *base* in terms of proton transfer.

acid

.....

base

..... [2]

(ii) Calcium oxide reacts with acids but not with alkalis. It is classified as a basic oxide.

Complete Table 6.1 to classify three other oxides.

Table 6.1

name	formula	property	type of oxide
calcium oxide	CaO	reacts with acids but not alkalis	basic
aluminium oxide	Al ₂ O ₃	reacts with both acids and alkalis	
carbon dioxide	CO ₂	reacts with alkalis but not acids	
nitrogen monoxide	NO	reacts with neither acids nor alkalis	

[3]

*For
Examiner's
Use*

7 Fig. 7.1 shows a magnet and a coil which is connected to a sensitive voltmeter.

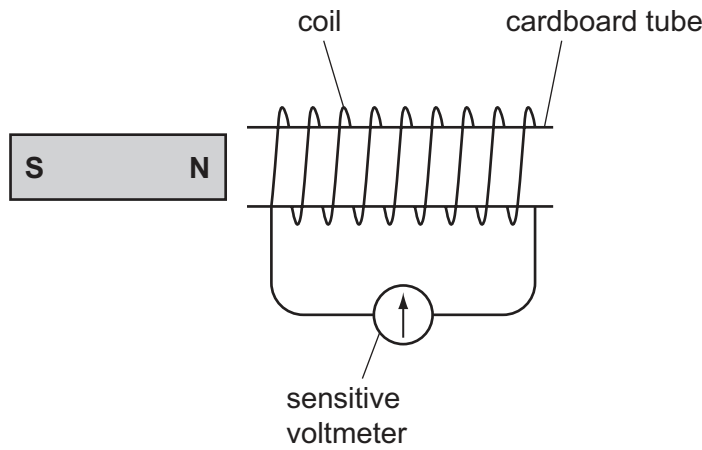


Fig. 7.1

(a) (i) Describe what you would observe as the magnet is moved away from the coil.

.....
.....
..... [2]

(ii) Explain this observation using the theory of electromagnetic induction.

.....
.....
..... [2]

(b) The magnet is now moved towards the coil.

Describe what you would observe.

.....
..... [1]

(c) The magnet is now replaced with a similar coil connected to an alternating supply. The original coil is connected to a cathode ray oscilloscope. This is shown in Fig. 7.2.

For
Examiner's
Use

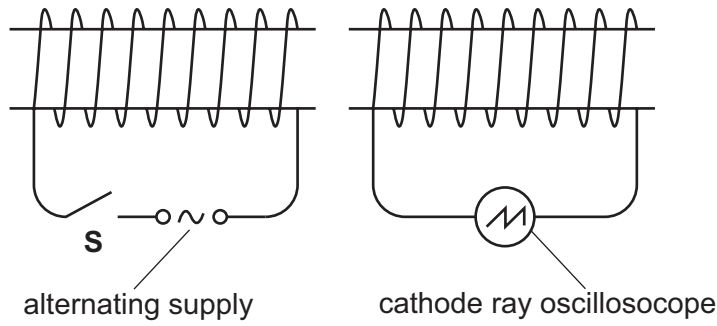


Fig. 7.2

State and explain what is observed when the switch **S** is closed.

.....

.....

..... [2]

- 8 Table 8.1 contains data about elements in Group 0 of the Periodic Table.

For
Examiner's
Use

Table 8.1

element	symbol	proton number	boiling point / °C	density of gas in kg/m ³
helium	He	2	-269	0.17
neon	Ne	10	-246	0.84
argon	Ar	18	-186	1.67
krypton	Kr	36	-152	3.50

- (a) (i) What name is given to the elements in Group 0?

..... [1]

- (ii) Use information from Table 8.1 to describe a trend in **one** physical property shown by this group of elements.

.....

 [2]

- (iii) Describe a chemical property common to all elements in this group.

..... [1]

- (iv) Xenon is the next member of Group 0 after krypton.

Predict the density of xenon.

density = kg/ m³ [1]

(b) (i) Draw a diagram to show the electron arrangement in an atom of argon.

For
Examiner's
Use

[2]

(ii) A calcium ion has the same electron arrangement as an argon atom.

Give the **name** of, and the **charge** on, another ion apart from calcium that has the same electron arrangement as an argon atom.

name charge [2]

(iii) State how a calcium ion is formed from a calcium atom.

.....

.....

..... [2]

9 A student is investigating the cooling of a cup of tea.

She makes the tea using water first boiled in a kettle. As the tea cools she notices that some of it evaporates.

(a) (i) State **one** similarity between evaporation and boiling.

.....
..... [1]

(ii) Explain the difference between evaporation and boiling.

.....
.....
..... [2]

(b) The graph in Fig. 9.1 shows how the temperature of the tea changes with time.

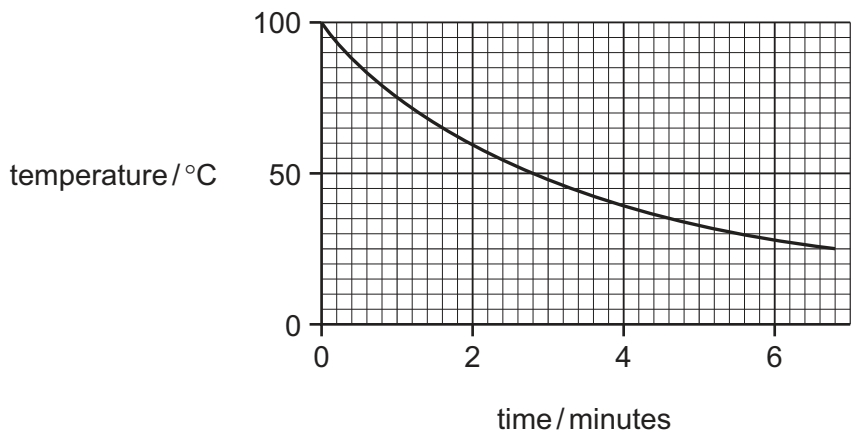


Fig. 9.1

Use the graph to estimate room temperature.

room temperature = °C [1]

(c) Explain, in terms of the molecular kinetic theory, what happens to the tea as it cools.

.....
.....
..... [2]

DATA SHEET
The Periodic Table of the Elements

		Group																																																																																																																																																																																																																																																																																																																																																																																																																																																																																																																																																																																																																																																																																																																																																																																																																																																																																																																																																																																																																																																																										
		I	II	III	IV	V	VI	VII	VIII	IX	X																																																																																																																																																																																																																																																																																																																																																																																																																																																																																																																																																																																																																																																																																																																																																																																																																																																																																																																																																																																																																																																																	
		1 H Hydrogen 1																																																																																																																																																																																																																																																																																																																																																																																																																																																																																																																																																																																																																																																																																																																																																																																																																																																																																																																																																																																																																																																																										
		4 He Helium 2																																																																																																																																																																																																																																																																																																																																																																																																																																																																																																																																																																																																																																																																																																																																																																																																																																																																																																																																																																																																																																																																										
7	9	3	4	5	6	7	8	9	10	11	12	13	14	15	16	17	18	19	20																																																																																																																																																																																																																																																																																																																																																																																																																																																																																																																																																																																																																																																																																																																																																																																																																																																																																																																																																																																																																																																									
Li Lithium	Be Beryllium	B Boron	C Carbon	N Nitrogen	O Oxygen	F Fluorine	Ne Neon	Na Sodium	Mg Magnesium	Al Aluminium	Si Silicon	P Phosphorus	S Sulfur	Cl Chlorine	Ar Argon	K Potassium	Ca Calcium	Sc Scandium	Ti Titanium	V Vanadium	Cr Chromium	Mn Manganese	Fe Iron	Co Cobalt	Ni Nickel	Cu Copper	Zn Zinc	Ga Gallium	Ge Germanium	As Arsenic	Se Selenium	Br Bromine	Kr Krypton																																																																																																																																																																																																																																																																																																																																																																																																																																																																																																																																																																																																																																																																																																																																																																																																																																																																																																																																																																																																																																											
19	37	39	40	41	42	43	44	45	46	47	48	49	50	51	52	53	54	55	56	57	58	59	60	61	62	63	64	65	66	67	68	69	70	71	72	73	74	75	76	77	78	79	80	81	82	83	84	85	86																																																																																																																																																																																																																																																																																																																																																																																																																																																																																																																																																																																																																																																																																																																																																																																																																																																																																																																																																																																																																											
Rb Rubidium	Sr Strontium	Y Yttrium	Zr Zirconium	Nb Niobium	Mo Molybdenum	Tc Technetium	Ru Ruthenium	Rh Rhodium	Pd Palladium	Ag Silver	Cd Cadmium	In Indium	Sn Tin	Sb Antimony	Te Tellurium	I Iodine	Xe Xenon	Cs Caesium	Ba Barium	La Lanthanum	Ce Cerium	Pr Praseodymium	Nd Neodymium	Pm Promethium	Sm Samarium	Eu Europium	Gd Gadolinium	Tb Terbium	Dy Dysprosium	Ho Holmium	Er Erbium	Tm Thulium	Yb Ytterbium	Lu Lutetium	Fr Francium	Ra Radium	Ac Actinium	Th Thorium	Pa Protactinium	U Uranium	Np Neptunium	Pu Plutonium	Am Americium	Cm Curium	Bk Berkelium	Cf Californium	Es Einsteinium	Fm Fermium	Md Mendelevium	No Nobelium	Lr Lawrencium																																																																																																																																																																																																																																																																																																																																																																																																																																																																																																																																																																																																																																																																																																																																																																																																																																																																																																																																																																																																																									
55	87	89	91	93	96	101	106	112	115	119	122	127	131	133	137	140	141	144	146	147	150	152	157	162	165	167	169	173	175	178	181	183	186	188	190	192	195	197	201	204	207	209	210	211	212	214	216	218	220	222	226	228	232	238	239	241	243	244	246	248	250	252	254	256	258	260	262	265	267	269	271	273	274	276	278	280	282	285	287	289	291	293	295	297	299	301	303	305	307	309	311	313	315	317	319	321	323	325	327	329	331	333	335	337	339	341	343	345	347	349	351	353	355	357	359	361	363	365	367	369	371	373	375	377	379	381	383	385	387	389	391	393	395	397	399	401	403	405	407	409	411	413	415	417	419	421	423	425	427	429	431	433	435	437	439	441	443	445	447	449	451	453	455	457	459	461	463	465	467	469	471	473	475	477	479	481	483	485	487	489	491	493	495	497	499	501	503	505	507	509	511	513	515	517	519	521	523	525	527	529	531	533	535	537	539	541	543	545	547	549	551	553	555	557	559	561	563	565	567	569	571	573	575	577	579	581	583	585	587	589	591	593	595	597	599	601	603	605	607	609	611	613	615	617	619	621	623	625	627	629	631	633	635	637	639	641	643	645	647	649	651	653	655	657	659	661	663	665	667	669	671	673	675	677	679	681	683	685	687	689	691	693	695	697	699	701	703	705	707	709	711	713	715	717	719	721	723	725	727	729	731	733	735	737	739	741	743	745	747	749	751	753	755	757	759	761	763	765	767	769	771	773	775	777	779	781	783	785	787	789	791	793	795	797	799	801	803	805	807	809	811	813	815	817	819	821	823	825	827	829	831	833	835	837	839	841	843	845	847	849	851	853	855	857	859	861	863	865	867	869	871	873	875	877	879	881	883	885	887	889	891	893	895	897	899	901	903	905	907	909	911	913	915	917	919	921	923	925	927	929	931	933	935	937	939	941	943	945	947	949	951	953	955	957	959	961	963	965	967	969	971	973	975	977	979	981	983	985	987	989	991	993	995	997	999	1001	1003	1005	1007	1009	1011	1013	1015	1017	1019	1021	1023	1025	1027	1029	1031	1033	1035	1037	1039	1041	1043	1045	1047	1049	1051	1053	1055	1057	1059	1061	1063	1065	1067	1069	1071	1073	1075	1077	1079	1081	1083	1085	1087	1089	1091	1093	1095	1097	1099	1101	1103	1105	1107	1109	1111	1113	1115	1117	1119	1121	1123	1125	1127	1129	1131	1133	1135	1137	1139	1141	1143	1145	1147	1149	1151	1153	1155	1157	1159	1161	1163	1165	1167	1169	1171	1173	1175	1177	1179	1181	1183	1185	1187	1189	1191	1193	1195	1197	1199	1201	1203	1205	1207	1209	1211	1213	1215	1217	1219	1221	1223	1225	1227	1229	1231	1233	1235	1237	1239	1241	1243	1245	1247	1249	1251	1253	1255	1257	1259	1261	1263	1265	1267	1269	1271	1273	1275	1277	1279	1281	1283	1285	1287	1289	1291	1293	1295	1297	1299	1301	1303	1305	1307	1309	1311	1313	1315	1317	1319	1321	1323	1325	1327	1329	1331	1333	1335	1337	1339	1341	1343	1345	1347	1349	1351	1353	1355	1357	1359	1361	1363	1365	1367	1369	1371	1373	1375	1377	1379	1381	1383	1385	1387	1389	1391	1393	1395	1397	1399	1401	1403	1405	1407	1409	1411	1413	1415	1417	1419	1421	1423	1425	1427	1429	1431	1433	1435	1437	1439	1441	1443	1445	1447	1449	1451	1453	1455	1457	1459	1461	1463	1465	1467	1469	1471	1473	1475	1477	1479	1481	1483	1485	1487	1489	1491	1493	1495	1497	1499	1501	1503	1505	1507	1509	1511	1513	1515	1517	1519	1521	1523	1525	1527	1529	1531	1533	1535	1537	1539	1541	1543	1545	1547	1549	1551	1553	1555	1557	1559	1561	1563	1565	1567	1569	1571	1573	1575	1577	1579	1581	1583	1585	1587	1589	1591	1593	1595	1597	1599	1601	1603	1605	1607	1609	1611	1613	1615	1617	1619	1621	1623	1625	1627	1629	1631	1633	1635	1637	1639	1641	1643	1645	1647	1649	1651	1653	1655	1657	1659	1661	1663	1665	1667	1669	1671	1673	1675	1677	1679	1681	1683	1685	1687	1689	1691	1693	1695	1697	1699	1701	1703	1705	1707	1709	1711	1713	1715	1717	1719	1721	1723	1725	1727	1729	1731	1733	1735	1737	1739	1741	1743	1745	1747	1749	1751	1753	1755	1757	1759	1761	1763	1765	1767	1769	1771	1773	1775	1777	1779	1781	1783	1785	1787	1789	1791	1793	1795	1797	1799	1801	1803	1805	1807	1809	1811	1813	1815	1817	1819	1821	1823	1825	1827	1829	1831	1833	1835	1837	1839	1841	1843	1845	1847	1849	1851	1853	1855	1857	1859	1861	1863	1865	1867	1869	1871	1873	1875	1877	1879	1881	1883	1885	1887	1889	1891	1893	1895	1897	1899	1901	1903	1905	1907	1909	1911	1913	1915	1917	1919	1921	1923	1925	1927	1929	1931	1933	1935	1937	1939	1941	1943	1945	1947	1949	1951	1953	1955	1957	1959	1961	1963	1965	1967	1969	1971	1973	1975	1977	1979	1981	1983	1985	1987	1989	1991	1993	1995	1997	1999	2001	2003	2005	2007	2009	2011	2013	2015	2017	2019	2021	2023	2025	2027	2029	2031	2033	2035	2037	2039	2041	2043	2045	2047	2049	2051	2053	2055	2057	2059	2061	2063	2065	2067	2069	2071	2073	2075	2077	2079	2081	2083	2085	2087	2089	2091	2093	2095	2097	2099	2101	2103	2105	2107	2109	2111	2113	2115	2117	2119	2121	2123	2125	2127	2129	2131	2133	2135	2137	2139	2141	2143	2145	2147	2149	2151	2153	2155	2157	2159	2161	2163	2165	2167	2169	2171	2173	2175	2177	2179	2181	2183	2185	2187	2189	2191	2193	2195	2197	2199	2201</